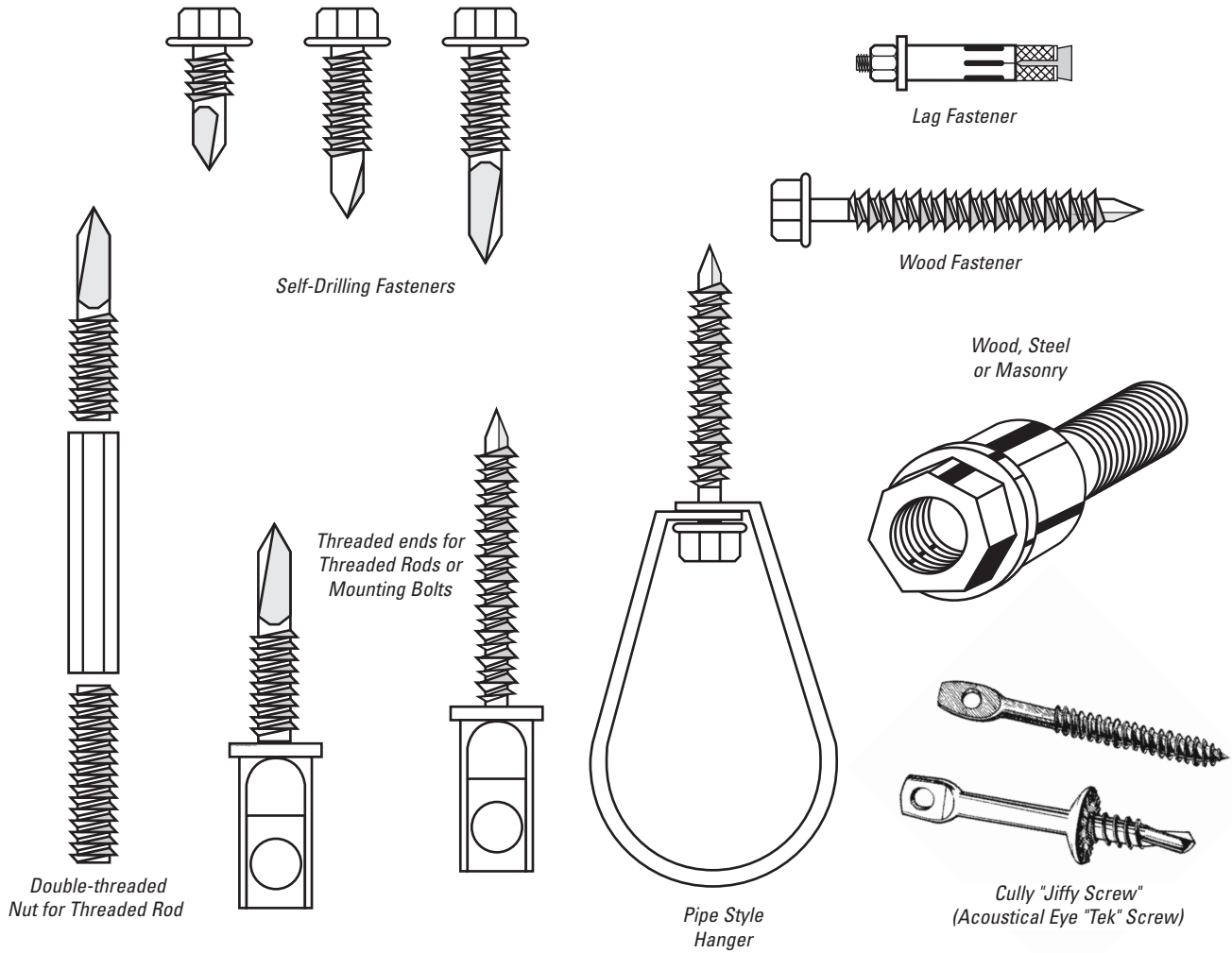
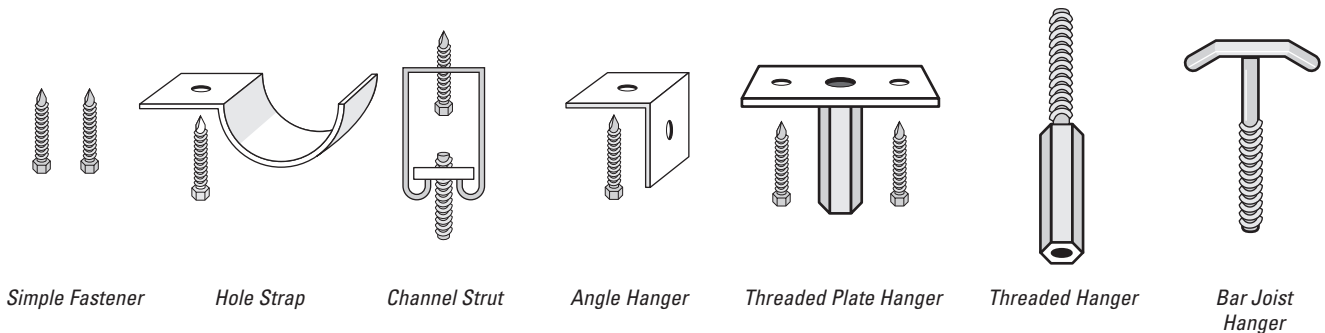


# SIMPLE SAVER SYSTEM<sup>®</sup> INSTALLATION INSTRUCTIONS BY THERMAL DESIGN

## COMMON FASTENERS, HANGERS AND METHODS



### Common Hanging Methods



# SIMPLE SAVER SYSTEM® INSTALLATION INSTRUCTIONS BY THERMAL DESIGN

## SPECIFIC THIRD-PARTY HANGERS AND METHODS

Third-party fasteners are available from Thermal Design for distinct fastening methods. These products specialize in hanging ductwork, pipes, and other items from ceiling without having to cut large holes in the vapor retarder. Ask your salesperson about these and other suspension methods. Check with your building manufacturer for all applications to meet building requirements. Be sure to fasten optional angle irons or side beam connectors before installing the fabric.

